

INSTALLATION INSTRUCTIONS - WOOD POST

#200-GRP GUARDRAIL DELINEATOR



TOOLS REQUIRED

- Drill, electric or air
- 3/16" Drill Bit
- 3/8" Socket
- Wrench or Socket Adapter

STEP 1

Review detailed traffic engineering plan regarding location, spacing, and reflective sheeting colors, required.

STEP 2

Align guardrail delineator so that the top of the flat section with holes is even with the top of the post. Using 3/16" drill bit, drill pilot holes at each hole location.

STEP 3

Using 3/8" socket, secure the provided 1/4" x 1-1/2" galvanized lag screws through the delineator.



PERFORMANCE FOR A SAFER TOMMORROW.™

INSTALLATION INSTRUCTIONS - STEEL POST

#200-GRP GUARDRAIL DELINEATOR



TOOLS REQUIRED

- Drill, electric or air
- 3/8" Drill Bit
- 7/16" Wrenches or Sockets

STEP 1

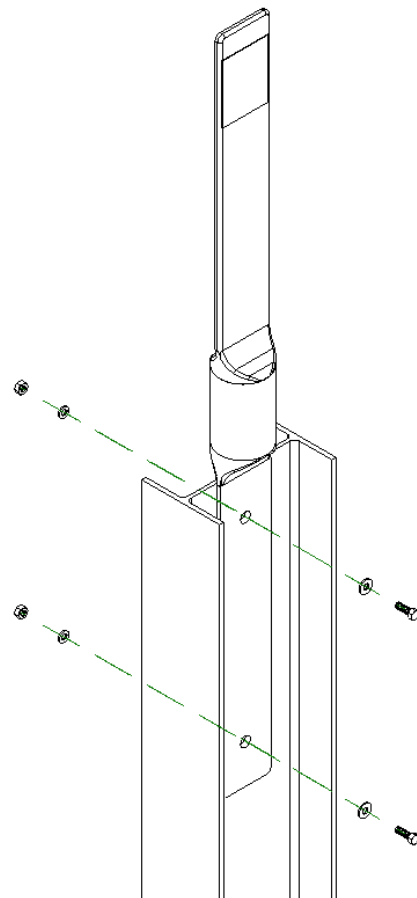
Review detailed traffic engineering plan regarding location, spacing, and reflective sheeting colors, required.

STEP 2

Align guardrail delineator so that the top of the flat section with holes is even with the top of the post. Using 3/8" drill bit, drill two holes through guardrail aligned with delineator holes

STEP 3

Secure 1/4-20x3/4" hex head bolts with hex nut, lock washer and flat washer as shown in the illustration to the right.



PERFORMANCE FOR A SAFER TOMMORROW.™