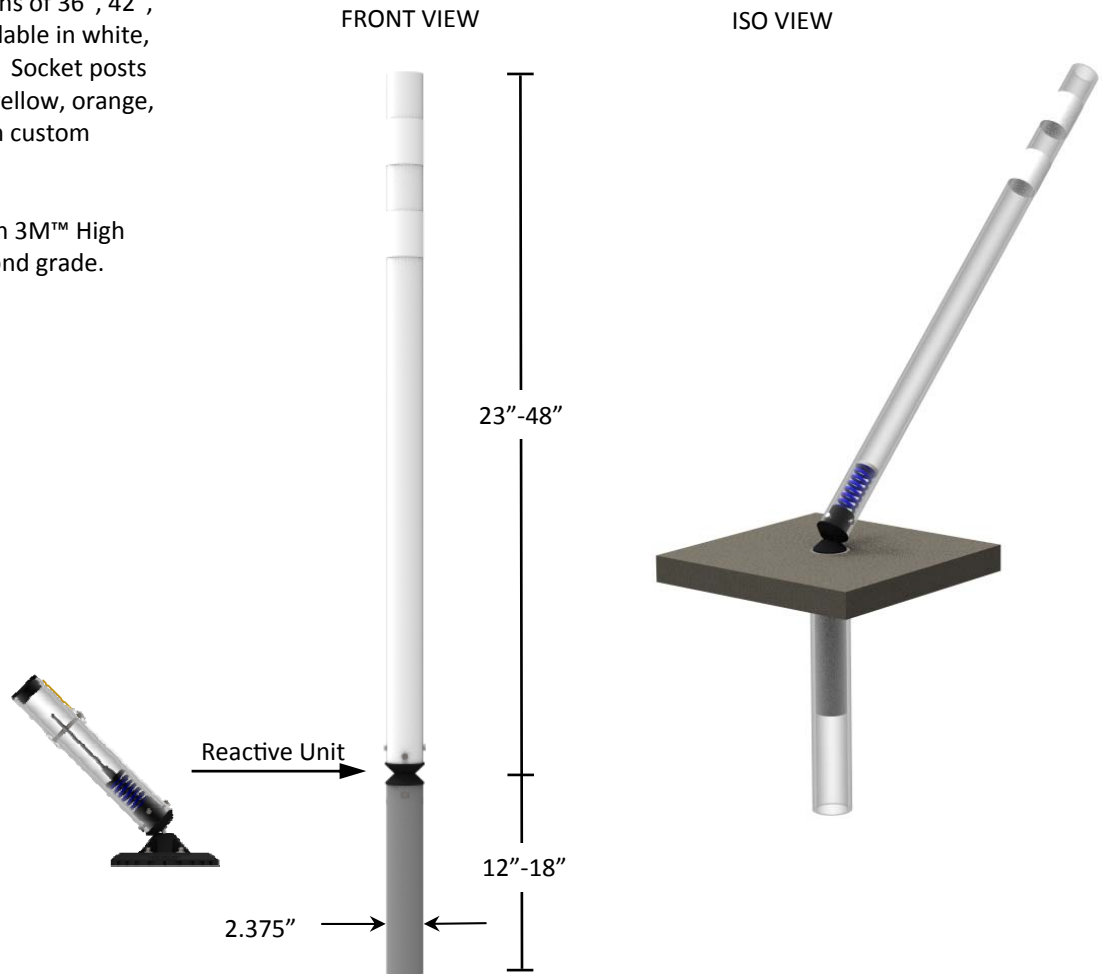


# Tubular Marker with Socket Base

Standard post lengths of 36", 42", and 48". Posts available in white, yellow, and orange. Socket posts available in white, yellow, orange, gray, or black and in custom lengths.

Sheeting available in 3M™ High Intensity and diamond grade.



## SPECIFICATIONS

- Unit has an anti-twist reactive spring assembly that gives when impacted then rebounds to upright.
- Post is constructed of plastic that is resistant to: ultraviolet light, ozone, and hydrocarbons.
- Receptacle socket provided by others
- Federal Acceptance: WZ-2

## RECOMMENDED USES

- Delineation, marking, and channelizing
- Quick removal socket for temporary application of markers and delineators