

**INSTALLATION  
INSTRUCTIONS  
FOR  
#101NS & #101QR  
FIXED BASE**

**#165 Anchor Kit  
#160/161 Epoxy Kit  
#163 Super Bundy® Plus**

**NOTE: BITUMINOUS PRODUCTS CANNOT  
BE USED TO INSTALL #101 FIXED BASE**

**Revised  
JUNE 2004**

**IMPACT RECOVERY SYSTEMS, INC.  
P.O. BOX 12637  
SAN ANTONIO, TEXAS 78212  
(210) 736-4477 TOLL-FREE (800) 736-5256  
FAX (210) 734-6448  
[www.impactrecovery.com](http://www.impactrecovery.com)**

# ANCHOR KIT (#165)

## INSTALLATION INSTRUCTIONS

For Use With #101NS or #101QR FIXED BASE

**Anchor Kit (#165) consists of 4 each: 3" Plastic Anchors, 4" Lag Screws, Metal Washer**

### Materials Needed for Installation

Drill with 5/8" Bit

Small Hammer

1/4" Allen Wrench

One of the following: 3/4" socket, 3/4" wrench, or adjustable wrench

### INSTALLATION INSTRUCTIONS:

1. Place #101NS Fixed Base on surface, align to desired position (direction you want the post/sign to face). Using the base as a template, mark the four (4) holes to establish pattern for drill.
2. Drill four (4) holes 3" deep using a 5/8" bit. Clean holes.
3. Using small hammer gently tap the anchors into the holes.
4. Place base over the anchors. Put washer onto lag screw. Start lag screw through base hole into anchor. Use 3/4" wrench to tighten lag screw snug into base.
5. Place the sign or post into base, check for proper alignment, and hand tighten all four socket cap screws. Use 1/4" Allen wrench to snug screws.



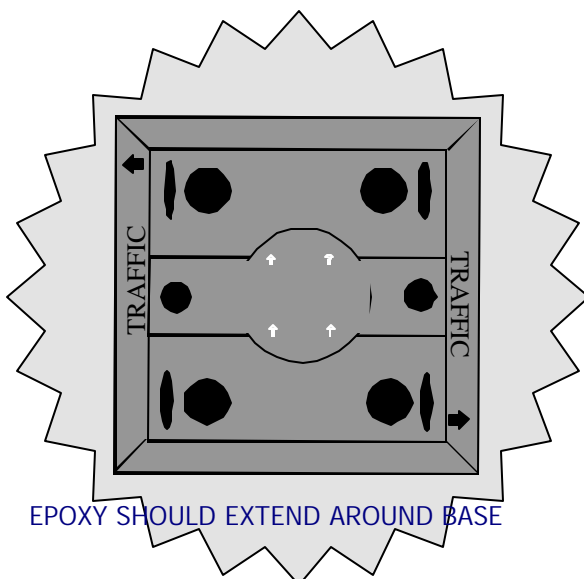
# EPOXY ADHESIVE INSTALLATION INSTRUCTIONS

For use with #101NS or #101QR FIXED BASE  
Part #160 Two Gallon Epoxy Kit (installs approx 15 bases)  
Part #161 Ten Gallon Epoxy Kit (installs approx 75 bases)

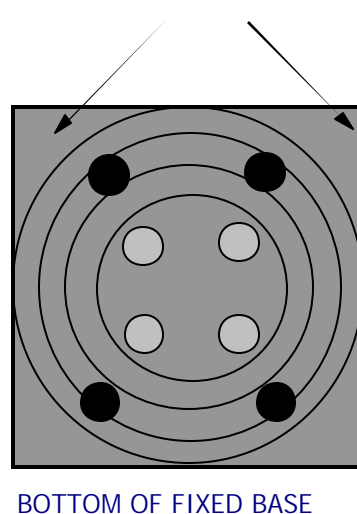
## **FOR BEST RESULTS USE IMPACT RECOVERY SYSTEMS TWO-PART EPOXY**

1. Check bottom of fixed base for tape covering T-Nuts. Tape prevents epoxy from entering screw threads upon installation.
2. Pavement surface should be clean and dry.
3. Mix part A and part B of epoxy equally and follow instructions on epoxy container. Use 8 to 10 oz. of part A and 8 to 10 oz. of part B per base.
4. Align base with arrows facing traffic and push into epoxy. Rotate base 90 degrees and back, filling underside channels and holes in base with epoxy.
5. Epoxy should extend around sides of fixed base.
6. Allow epoxy to dry 24 hours for optimum performance.
7. Place post into base, check for proper alignment.
8. Hand tighten all four socket cap screws, and then tighten with ¼" allen wrench until snug.

ALIGN BASE FACING TRAFFIC



EPOXY SHOULD FILL UNDERSIDE CHANNEL IN BASE



# SUPER BUNDY® PLUS ADHESIVE (#163)

Please Note as of January 2004 the SUPER BUNDY® is now a two-part system (SUPER BUNDY® PLUS).

*Note: Super Bundy is only recommended for use with Delineators and Tubular Markers installed in low-speed applications.*

## INSTALLATION INSTRUCTIONS

For Use with #101NS or #101QR

### GENERAL REQUIREMENTS:

- Moisture:** Pavement must be dry. Ensure that no moisture is present prior to positioning the SUPER BUNDY® PLUS material on the pavement surface.
- Surface:** Asphalt and concrete must be free of dirt, dust, chemicals, or significantly oily substances. Do not apply on top of paint, cold plastic, or Greenlite. It can be applied on top of thermoplastic. When applying on top of old thermoplastic, scrape off any thermoplastic that is loose and then ensure that no moisture is present. The old thermoplastic surface must not be chipping, and it must be clean. If the old thermoplastic is oxidized (powdery surface), grind or heat it and scrape the top surface so fresh material is exposed.
- Object:** Ensure that the surface to be inserted in the adhesive is dry, free of dirt or chemical release agents.
- Material:** SUPER BUNDY® PLUS shall be kept dry at all times – in storage, in transit, and on the project. Avoid extreme storage temperatures. Preferably, SUPER BUNDY® PLUS should be stored in a building that is between 35° F and 90° F. The packages should be stored flat and stacked a maximum of 25 packs high. Shelf life is 12 months.

### SAFETY PRECAUTIONS:

Protective clothing should be worn during installation of SUPER BUNDY® PLUS. The protective clothing should consist of leather boots or work shoes, long pants (note: no synthetic fabrics should be worn), gloves, and either safety goggles or a face shield should be worn.

### INSTRUCTIONS FOR APPLICATION ON ASPHALT AND CONCRETE:

1. SUPER BUNDY® PLUS is a two-piece system. Do not attempt to use a single piece only as this will result in inadequate bonding and potential failure.

2. Clean intended application area thoroughly. All loose particles, sand, dust, etc. must be removed. Utilized a power blower or compressed air if available, otherwise sweep thoroughly.
3. Ensure that no moisture is present prior to positioning the SUPER BUNDY® PLUS material on the pavement surface.
4. Preheat the pavement surface using a propane fueled torch.
5. Position the first piece of SUPER BUNDY® PLUS on the preheated pavement surface.
6. After positioning the SUPER BUNDY® PLUS material, begin heating the material by moving the flame from a propane fueled torch, slowly but steadily over the material. Move the torch in a sweeping motion over the material at a height of 4 to 8 inches so that heat is evenly applied and melt the material. Always position yourself with the wind at your back, if possible, so the wind moves the heat away from the applicator's feet. The SUPER BUNDY® PLUS material must be heated to its melting temperature to achieve a bond with the pavement. Continue to heat the adhesive pad until the well defined edges of the pad are no longer visible. A brownish film will typically form on the surface when the material has reached its molten stage.
7. Without delay, position the second piece of the SUPER BUNDY® PLUS on top of the molten piece. Remember to wear safety gloves.
8. Heat the second piece of the SUPER BUNDY® PLUS until it is completely molten. A brownish film will typically develop on the surface when the material is molten. Continue to heat the adhesive pad until the well defined edges of the pad are no longer visible. The adhesive pad must be completely molten before positioning the object to be affixed to the pavement surface. At this point the adhesive pad should appear as a "puddle" of molten adhesive.
9. Position the object on the SUPER BUNDY® PLUS immediately after the torch flame is moved away from the material. Make sure that there is at least ¼" of the SUPER BUNDY® PLUS material surrounding all sides of the object. When positioning the object on the SUPER BUNDY® PLUS make sure to put one side of the object down first and then the other in order to not trap in air.
10. Apply slight downward pressure on the object to ensure embedding and bonding, but make sure the object is not embedded so deeply that it rests on the pavement surface. It is important that there is a small cushion of SUPER BUNDY® PLUS material between the pavement and the object.
11. Curing is complete when the SUPER BUNDY® PLUS material has cooled down to a temperature where the object can no longer be moved. If needed, the curing time can be shortened by pouring cold water over the adhesive.