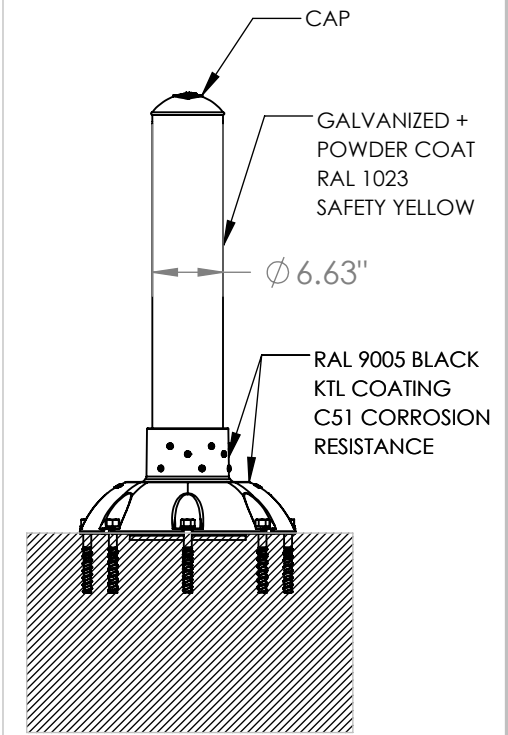
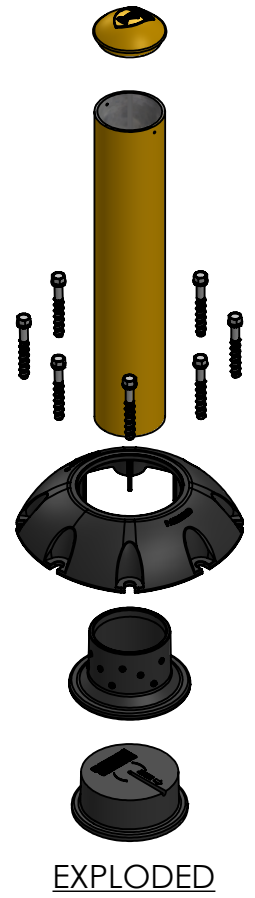
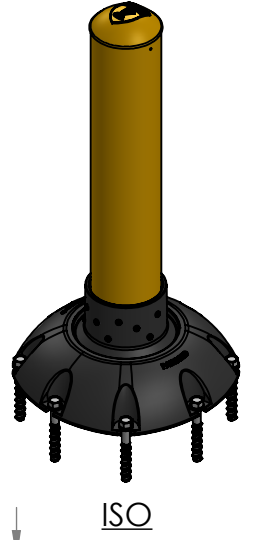
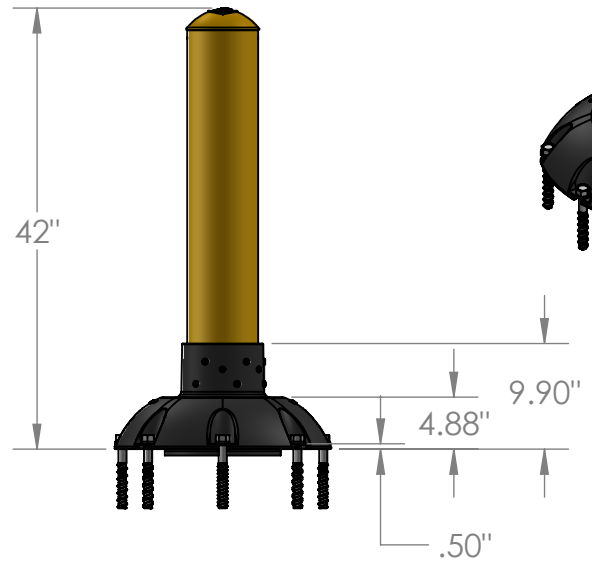
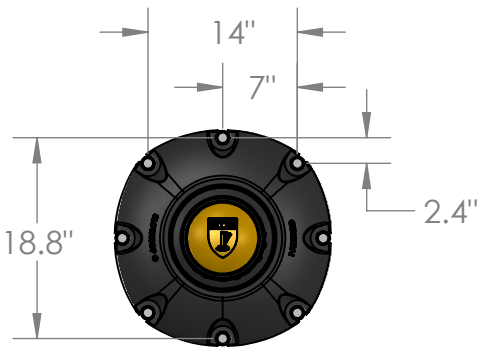


2

1

B



\* MINIMUM FOUNDATION DEPENDS ON LOCAL SOIL CONDITIONS WEATHER, & ENG. REQTS

DETAIL

B

A

A



**PROPRIETARY AND CONFIDENTIAL**  
THE INFORMATION CONTAINED IN THIS DRAWING IS THE SOLE PROPERTY OF IMPACT RECOVERY SYSTEMS, INC.® ANY REPRODUCTION IN PART OR AS A WHOLE WITHOUT THE WRITTEN PERMISSION OF IMPACT RECOVERY SYSTEMS, INC.® IS PROHIBITED.

UNLESS OTHERWISE SPECIFIED:  
DIMENSIONS ARE IN INCHES TOLERANCES:  
INTERPRET GEOMETRIC TOLERANCING PER:

	NAME	DATE
DRAWN	EA	3/19/26
CHECKED		
COMMENTS:		

IMPACT RECOVERY SYSTEMS, INC.®		
TITLE:		
SLOWSTOP 6" BOLLARD		
SIZE	DWG. NO.	REV
<b>A</b>	SS6Y-42-RB	1.0
SCALE: 1:18	WEIGHT: 161LBS	SHEET 1 OF 1

2

1