

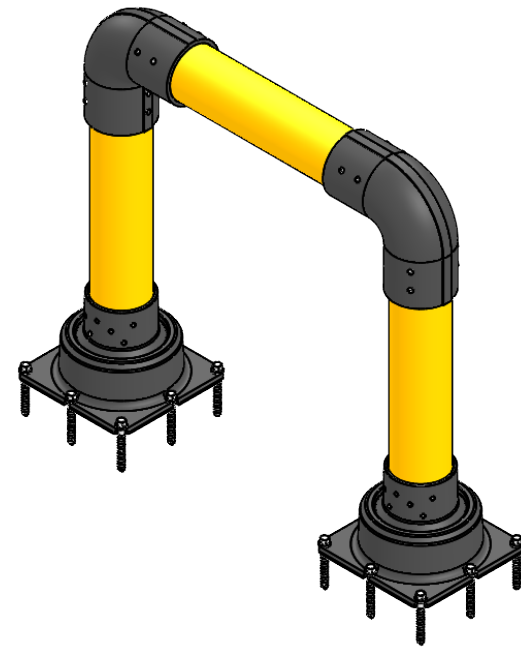
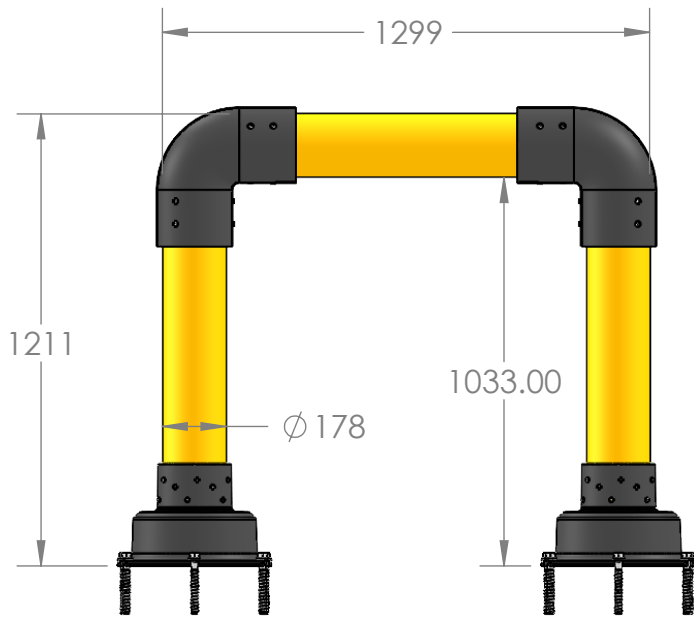
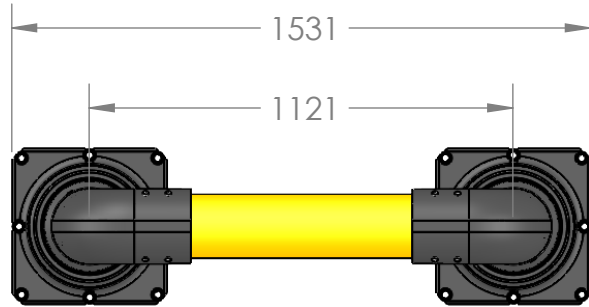
2

1

ITEM NO.	PART NUMBER	DESCRIPTION	QTY.
1	SS-T3-PEDESTAL	SLOWSTOP TYPE 3 PEDESTAL	2
2	SS-T3-ELBOW	SLOWSTOP TYPE 3 ELBOW	2
3	SS-T3Y-PIPE-885	SLOWSTOP TYPE 3 PIPE, YELLOW, 885 MM	3

B

B



A

A



PROPRIETARY AND CONFIDENTIAL
 THE INFORMATION CONTAINED IN THIS DRAWING IS THE SOLE PROPERTY OF IMPACT RECOVERY SYSTEMS, INC.® ANY REPRODUCTION IN PART OR AS A WHOLE WITHOUT THE WRITTEN PERMISSION OF IMPACT RECOVERY SYSTEMS, INC.® IS PROHIBITED.

UNLESS OTHERWISE SPECIFIED:
 DIMENSIONS ARE IN INCHES
 TOLERANCES:
 INTERPRET GEOMETRIC TOLERANCING PER:

	NAME	DATE	IMPACT RECOVERY SYSTEMS, INC.®	
DRAWN	RS	2/8/2024	TITLE:	
CHECKED			SS-T3Y-112-HS-112	
COMMENTS:			SIZE	REV
			A	2.0
			DWG. NO.	WEIGHT:
			SCALE: 1:20	SHEET 1 OF 1

2

1