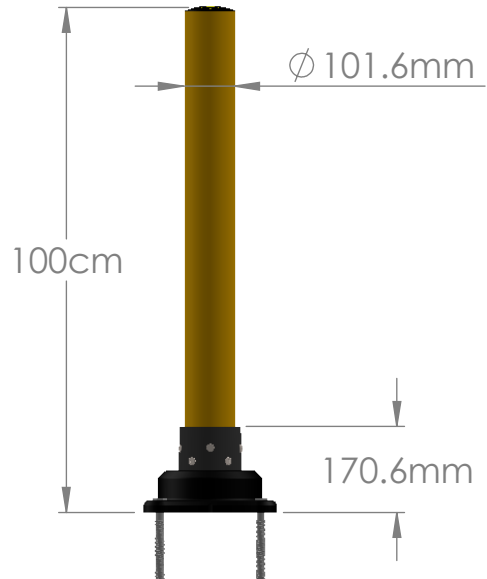
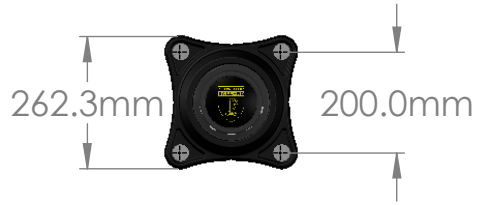


2

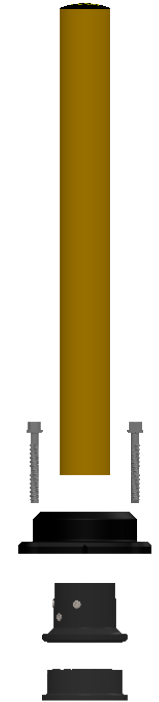
1

B

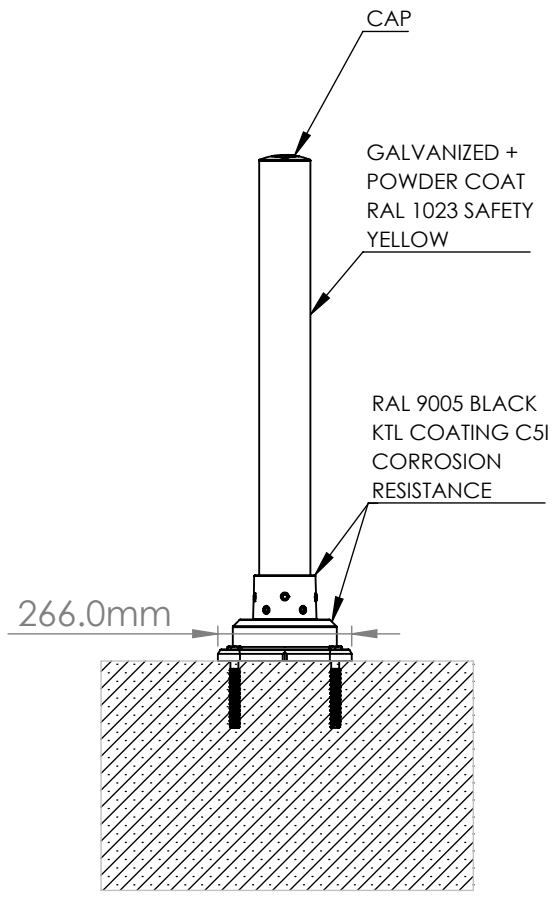
B



ISO



EXPLODED



A

A



**PROPRIETARY AND CONFIDENTIAL**  
 THE INFORMATION CONTAINED IN THIS DRAWING IS THE SOLE PROPERTY OF IMPACT RECOVERY SYSTEMS, INC.® ANY REPRODUCTION IN PART OR AS A WHOLE WITHOUT THE WRITTEN PERMISSION OF IMPACT RECOVERY SYSTEMS, INC.® IS PROHIBITED.

UNLESS OTHERWISE SPECIFIED:  
 DIMENSIONS ARE IN INCHES  
 TOLERANCES:  
 INTERPRET GEOMETRIC  
 TOLERANCING PER:

	NAME	DATE
DRAWN	EA	2/28/25
CHECKED		
COMMENTS:		

IMPACT RECOVERY SYSTEMS, INC.®		
TITLE:		
TYPE 2 REBOUNDING STEEL BOLLARD		
SIZE	DWG. NO.	REV
<b>A</b>		3.0
SCALE: 1:15	WEIGHT:	SHEET 1 OF 1

2

1