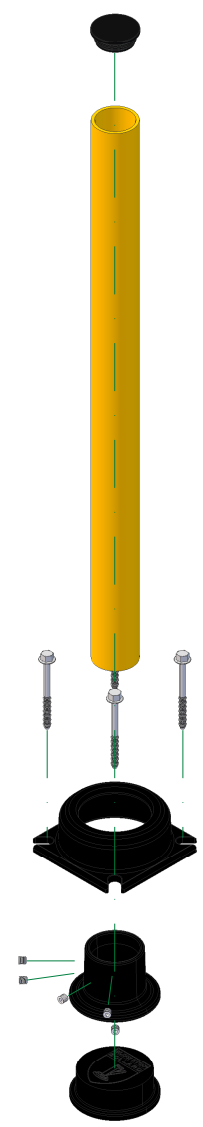
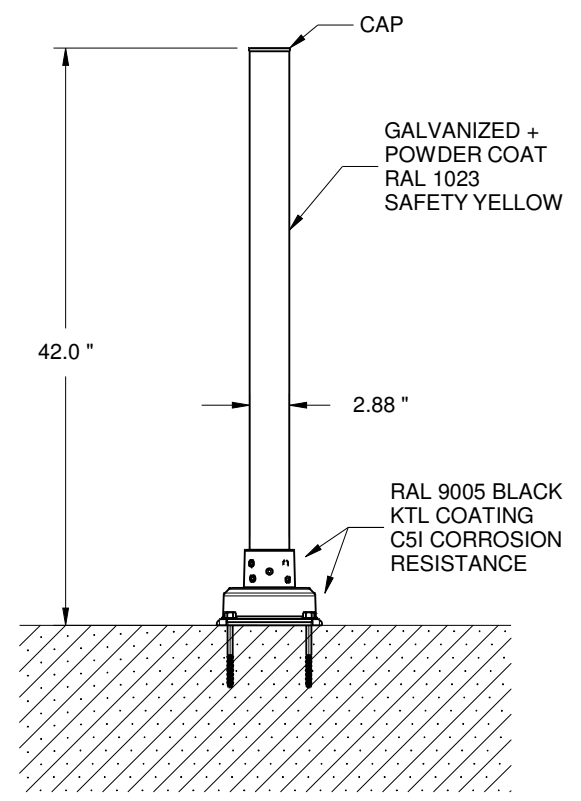


ISO



EXPLODED



* MINIMUM FOUNDATION DEPENDS ON LOCAL SOIL CONDITIONS, WEATHER & ENG. REQ'TS



CONFIDENTIAL & PROPRIETARY
 ©2024 Impact Recovery Systems, Inc. All rights reserved. Products are covered by U.S. and international patents. Other U.S. and international patents pending.
 4955 STOUT DR. · SAN ANTONIO, TX 78219 · (800) 736-5256

SIZE A	PART NO. SS3Y-42	DWG. 3"Ø X 42" REBOUNDING STEEL BOLLARD	REV 2.0
SCALE	SLOWSTOP GUARDING SYSTEMS, LLC	DATE	08-DEC-2023