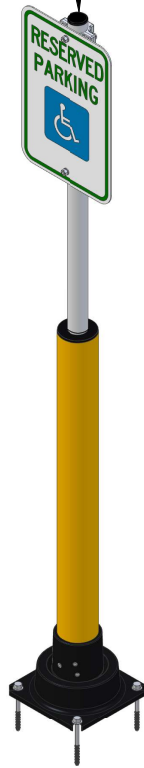
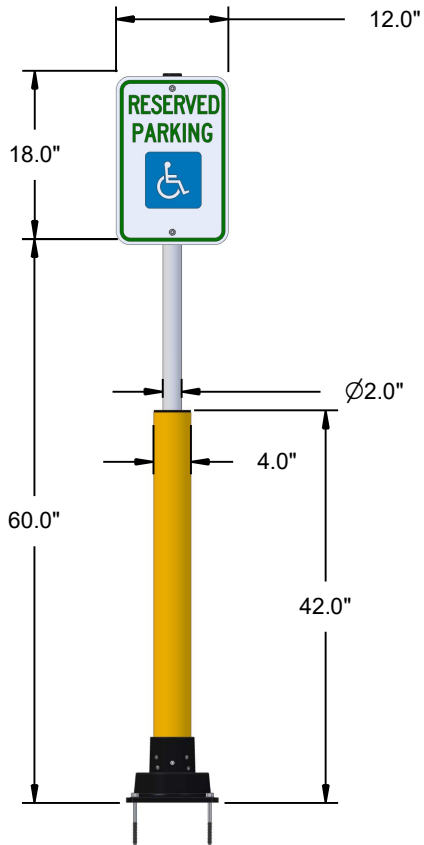


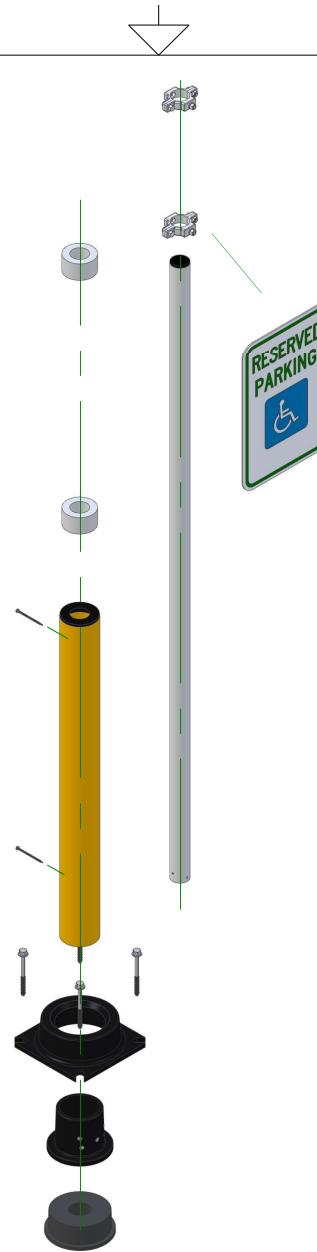


9.8"

HEIGHT ADJUSTABLE BY  
INSERT DEPTH. POST IS 75".

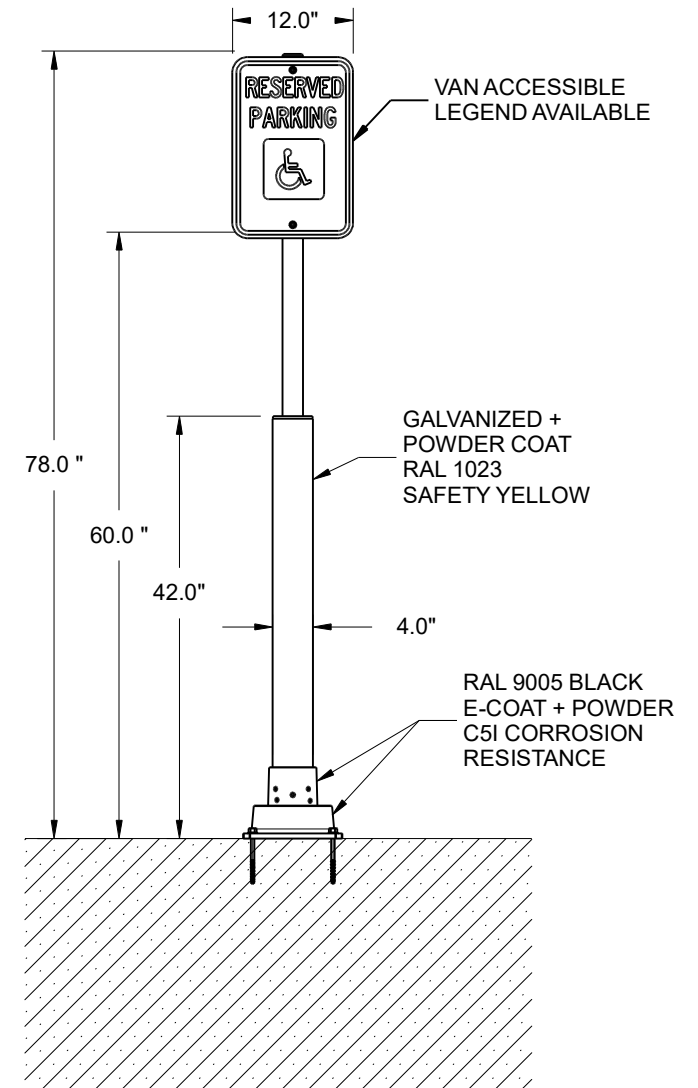


ISO



EXPLODED

STANDARD DETAIL



VAN ACCESSIBLE  
LEGEND AVAILABLE

GALVANIZED +  
POWDER COAT  
RAL 1023  
SAFETY YELLOW

RAL 9005 BLACK  
E-COAT + POWDER  
C5I CORROSION  
RESISTANCE

\* MINIMUM FOUNDATION DEPENDS ON LOCAL  
SOIL CONDITIONS, WEATHER & ENG. REQ'TS



CONFIDENTIAL & PROPRIETARY

©2024 Impact Recovery Systems, Inc.® All rights reserved. Products are covered by U.S. and international patents. Other U.S. and international patents pending.

4955 STOUT DR. · SAN ANTONIO, TX 78219 · (800) 736-5256

SIZE  
**A**

PART NO.  
SS4Y-42-HC

DWG.  
SLOWSTOP HANDICAP PARKING  
BOLLARD SIGN POST

REV  
2.0

SCALE

SLOWSTOP GUARDING SYSTEMS, LLC

DATE 08-DEC-2023