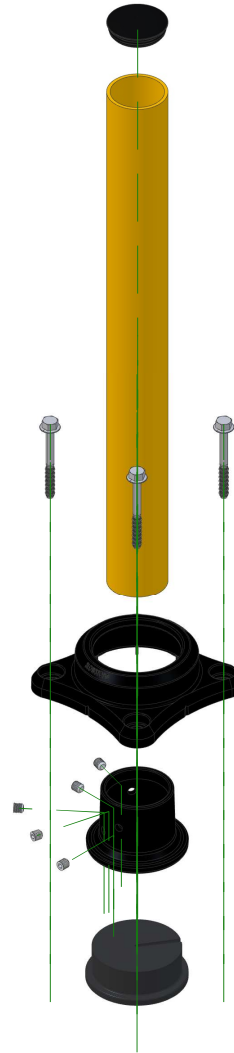
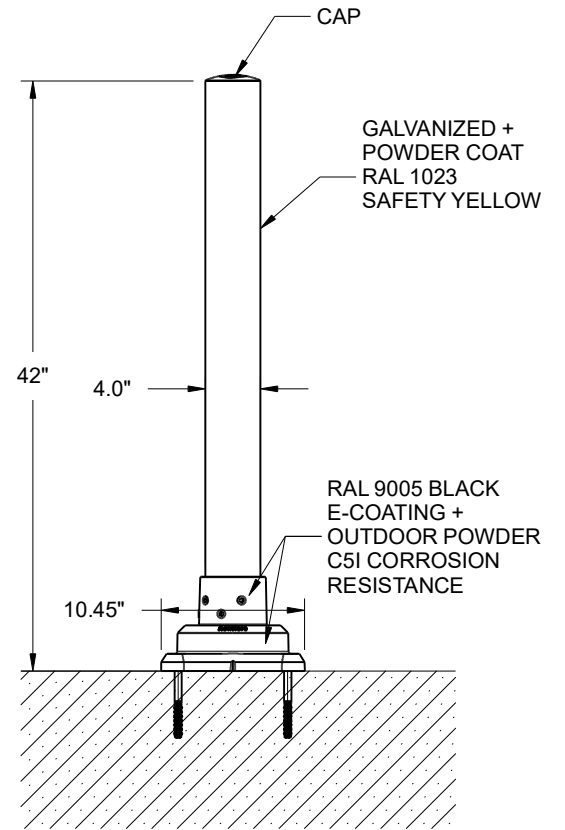


ISO



EXPLODED



* MINIMUM FOUNDATION DEPENDS ON LOCAL SOIL CONDITIONS, WEATHER & ENG. REQ'TS



CONFIDENTIAL & PROPRIETARY

©2024 Impact Recovery Systems, Inc. All rights reserved. Products are covered by U.S. and international patents. Other U.S. and international patents pending.

4955 STOUT DR. · SAN ANTONIO, TX 78219 · (800) 736-5256

SIZE
A

PART NO.
SS4Y-42

DWG.
SLOWSTOP BOLLARD - $\varnothing 4" \times 42"$

REV
3.0

SCALE

SLOWSTOP GUARDING SYSTEMS, LLC

DATE 08-DEC-2023