

**SlowStop Bollard**  
**IBC 1607.8.3 Testing**  
**2-Aug-2019**

**Purpose:** To confirm conformance to International Building Codes of SlowStop 5" StoreFront Bollard.

**Background:**

IBC 1607.8.3 states the following:

**Vehicle barriers.** Vehicle barriers for passenger vehicles shall be designed to resist a concentrated load of 6,000 pounds (26.70 kN) in accordance with Section 4.5.3 of ASCE 7. Garages accommodating trucks and buses shall be designed in accordance with an *approved* method that contains provisions for traffic railings.

ASCE 7 – 4.5.3 states the following:

Vehicle barrier systems for passenger vehicles shall be designed to resist a single load of 6,000 lb. (26.70 kN) applied horizontally in any direction to the barrier system, and shall have anchorages or attachments capable of transferring this load to the structure. For design of the system, the load shall be assumed to act at heights between 1 ft 6 in. (460 mm) and 2 ft 3 in. (686 mm) above the floor or ramp surface, selected to produce the maximum load effect. The load shall be applied on an area not to exceed 12 in. by 12 in. (305 mm by 305 mm) and located so as to produce the maximum load effects. This load is not required to act concurrently with any handrail or guardrail system loadings specified in Section 4.5.1. Vehicle barrier systems in garages accommodating trucks and buses shall be designed in accordance with *AASHTO LRFD Bridge Design Specifications*.

**Experiment Design:**

In order to maximize load effects, 27" inches above ground was selected as it produces the maximum moment on the SlowStop rebounding bollard which tilts and absorbs energy with impact. Further, placing a single anchor at maximum distance from the pull direction was determined to produce the maximum tension on the anchor.



Figure 1 - Bollard Initial Condition

A SS5Y-42-SF SlowStop Bollard was installed in 3000 psi concrete using standard 5/8" x 5-1/2" Hilti HUS anchors. A hole was drilled in the bollard pipe to connect rigging to pull (in effect a push due to the connection point on the opposite side) the bollard with 6,000 pounds of force using a lever chain hoist. An S type load cell was rigged in line with the pulling force in order to measure actual force.

A 50,000 pound rated washer type load cell was installed under the head of the worst case anchor in order to read actual force exerted upwards by the bollard base onto the head of the anchor. Concrete used was 3,000 psi, 6"-7" thick parking lot grade. This allowed for five of the anchors to be seated fully as normal. The load cell anchor, however, lost a little over 1" of embedment depth due to the measure device and required structural washers. See Figure 2.



Figure 2 - Loss of Embedment at Load Cell

## Results:

Measurements were taken periodically throughout tensioning (and later compared to the 4" bollard testing). See the graph below in Figure 3. The anchor began with approximately 3300 pounds of clamping force. Upon tensioning, the bollard tilted to 20° as designed by compressing the internal rubber elastomer. At that point the bollard became semi-rigid. The base is made of ductile iron with a minimum of 18% elongation. The pipe is standard schedule 40 steel ERW pipe and also subject to some bending, though no noticeable bending occurred. The loading on the washer seems to be linear in two different phases, before and after full tilting, for both models.

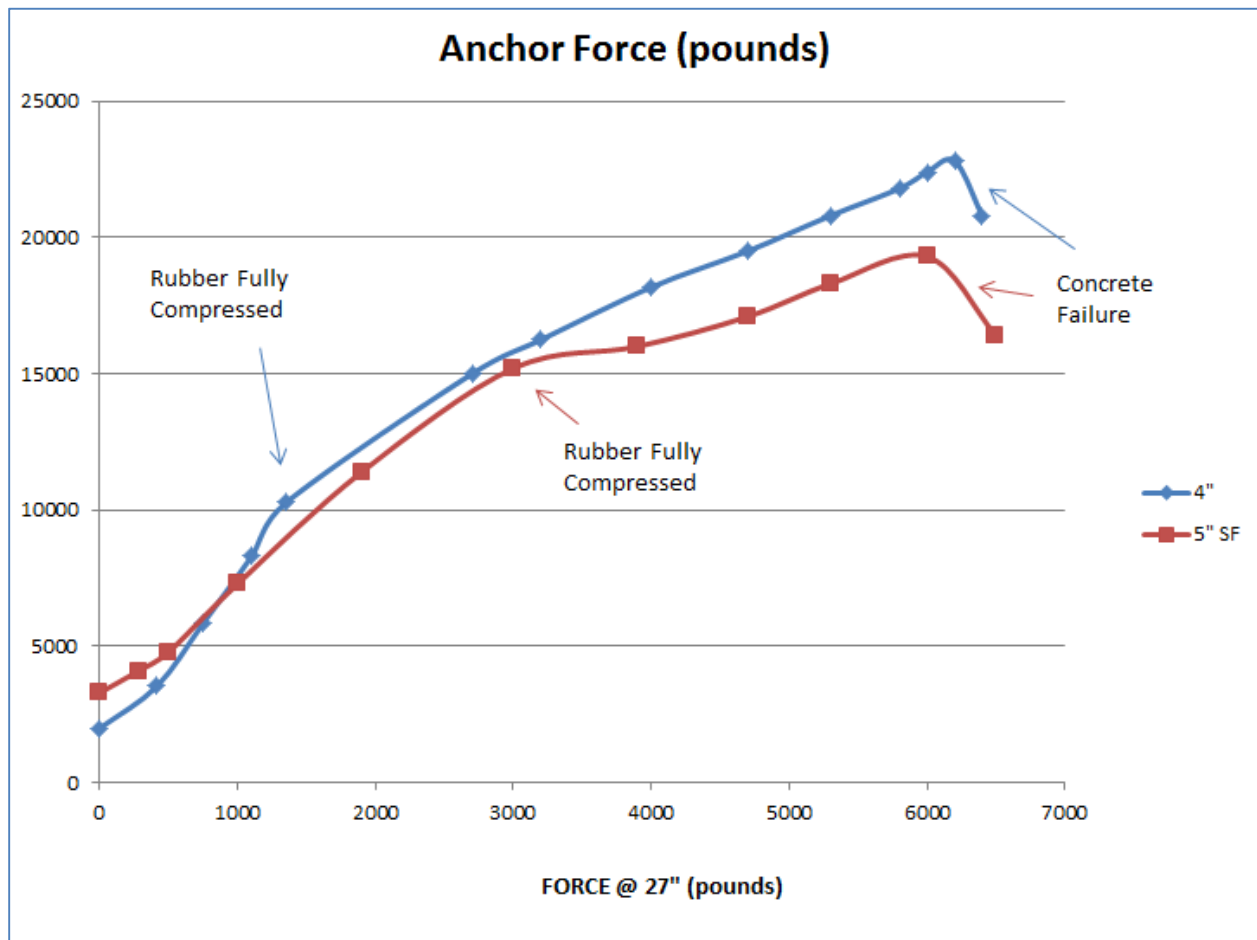


Figure 3 - Load Forces

At 6,000 pounds of force on the bollard, the system held in steady state, with approximately 19,300 pounds of tension on the anchor. The system was tensioned further to explore failure point. At approximately 6,500 pounds of force, the concrete under the worst case anchor began to spall. See Figure 4.



Figure 4 - Spalled Concrete

Because the worst case anchor lost 1" of embedment depth, it is logical to assume that the concrete would have failed later had there been full embedment.

## Calculation Back-Check:



Figure 5 - 27" Above Ground Level Force

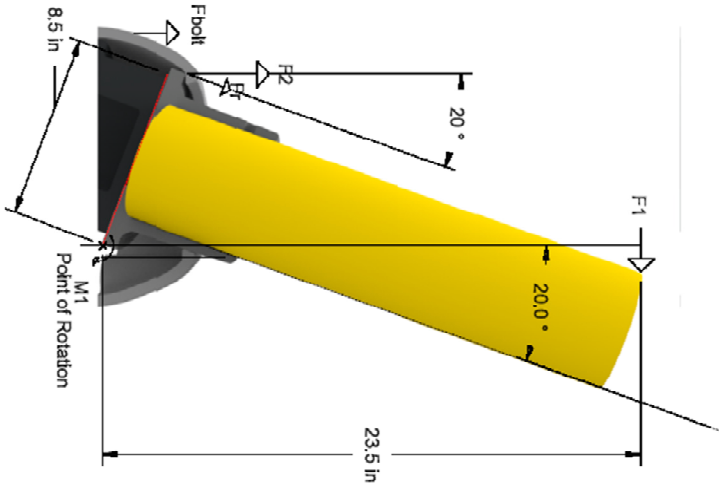
Appendix A shows basic static calculations to determine expected vertical tension on the worst case bolt. Calculations agree with measured data within 2%.

See APPENDIX B to this report for Load Cell Calibration Certificates.

## Conclusion:

Given proper foundation and anchorage design, the SlowStop bollard conforms to IBC 1607.8.3 and ASCE 7 – 4.5.3 and is an appropriate product selection for parking garages. For thinner decks, backing plates anchor designs may be necessary to contain the load.

## APPENDIX A– Static Calculations



Forces	Analytical	Experimental
F1	6000 lbs	6000 lbs
F2	18893 lbs	19300 lbs
Fbolt	18893 lbs	19300 lbs

F1 = Axial Force from Hoist  
 F2 = Vertical Force from Adapter to Pedestal  
 Fbolt = Vertical Force on Bolt from Pedestal  
 Fbolt = F2 ; Summation of Forces in the Y Direction

Sum of x Forces  
 $F1 = 6000$   
 Moment around Point of Rotation  
 $M1 = 6000 * 23.5 = 141,000 \text{ lb-in}$   
 Reaction Force  
 $F_r = M1 / 8.5 = 16588 \text{ lbs}$   
 Sum of y Forces  
 $F2 = F_{bolt} = F_r * \cos(20) = 16588 * .940 = 15576 \text{ lbs}$   
 Total load  
 $F_{bolt \text{ total}} = F2 + \text{Preload} = 15593 + 3300 = 18893 \text{ lbs}$   
 $F_{bolt \text{ total}} = 18893 \text{ lbs}$

	CONFIDENTIAL & PROPRIETARY			The drawing on this print and the information therewith are property of Slowstop Guarding Systems, LLC and shall not be used or disclosed in whole or in part without the consent of Slowstop Guarding Systems, LLC.
	SIZE	PART NO.	DWG.	
SCALE	A	SLOWSTOP GUARDING SYSTEMS, LLC		DATE
4855 STOUT DR. - SAN ANTONIO, TX 78219 - (800) 736-5256				REV



