

2

1

NOTES:

1. ALL MEASUREMENTS ROUNDED TO NEAREST 1" / 5MM
2. PIPE LENGTHS ARE FROM DESIRED CENTERLINES
3. CENTERLINES WILL VARY ±0.5" [±10MM]
4. PIPE DIAMETER: 6.63" (US) / 178 MM (ISO)
5. BASE SIZE 16.1" X 16.1" / 410 MM X 410 MM
6. MAXIMUM HORIZONTAL CENTERS 60" / 1.5M

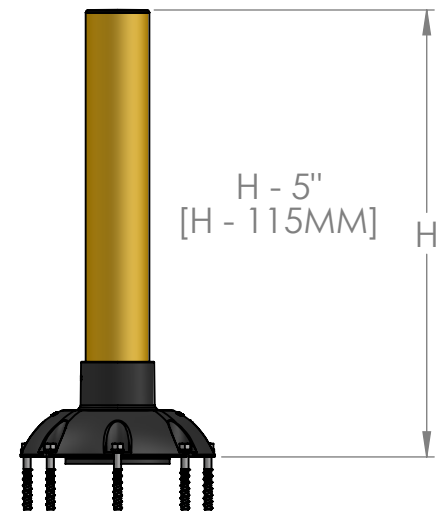
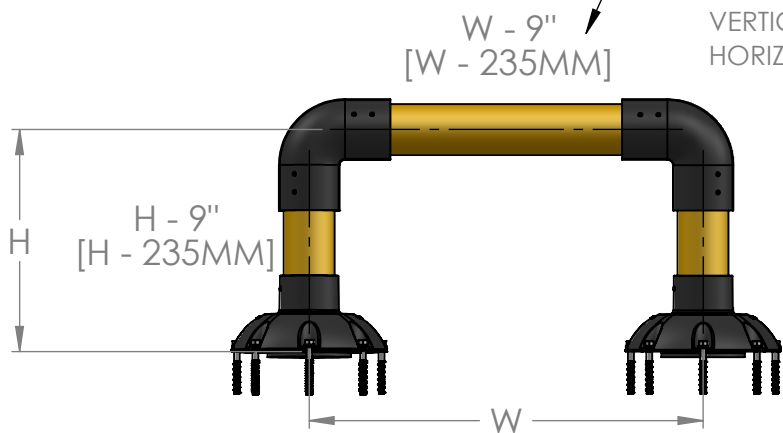
EXAMPLE:

600 MM TALL X 1000 MM WIDE HORSESHOW

VERTICAL PIPES: 600 - 235 = 365 MM
 HORIZONTAL PIPES: 1000 - 235 = 765 MM

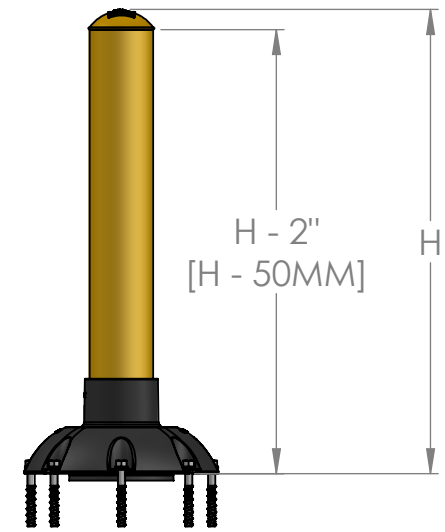
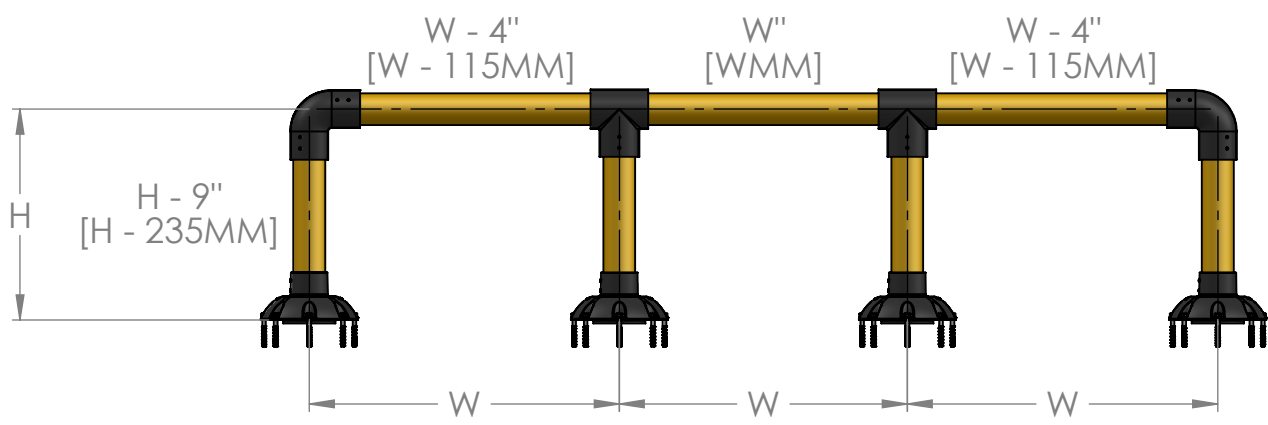
B

B



A

A



PIPES CAN SLIDE COMPLETELY THROUGH TEE (NO RIDGES INSIDE)



PROPRIETARY AND CONFIDENTIAL
 THE INFORMATION CONTAINED IN THIS DRAWING IS THE SOLE PROPERTY OF IMPACT RECOVERY SYSTEMS, INC.® ANY REPRODUCTION IN PART OR AS A WHOLE WITHOUT THE WRITTEN PERMISSION OF IMPACT RECOVERY SYSTEMS, INC.® IS PROHIBITED.

UNLESS OTHERWISE SPECIFIED:
 DIMENSIONS ARE IN INCHES TOLERANCES:
 INTERPRET GEOMETRIC TOLERANCING PER:

	NAME	DATE
DRAWN	EA	8/20/25
CHECKED		
COMMENTS:		

IMPACT RECOVERY SYSTEMS, INC.®		
TITLE: SLOWSTOP 6" (TYPE 3) PIPE LENGTH CALCULATIONS		
SIZE A	DWG. NO.	REV 2.0
SCALE:	WEIGHT:	SHEET 1 OF 1

2

1