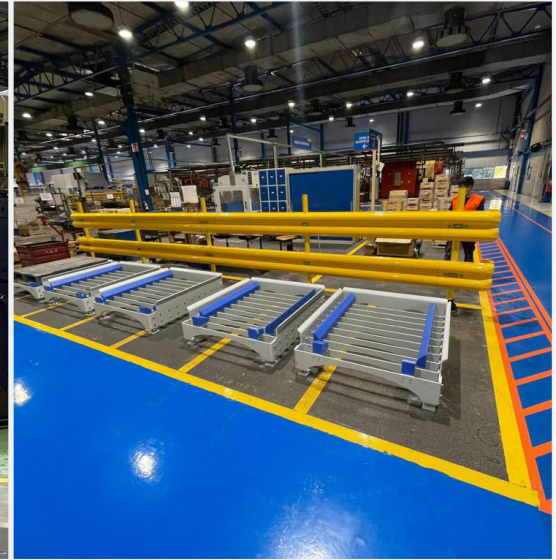
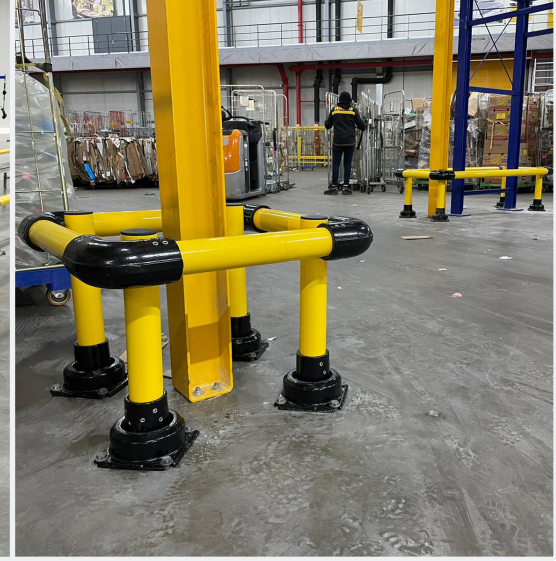


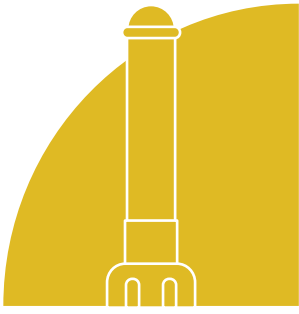


Built to Protect What Matters



**Manufacturing
Safety Solutions**





SlowStop®: Our Revolutionary Energy-Absorbing Protective Guarding System

SlowStop is the premier protective guarding product line. With rugged construction and innovative rebounding technology, SlowStop absorbs more impacts and lasts longer providing our customers with better value and greater peace of mind - year after year. Offering the strongest flexible protection available on the market, SlowStop is a modular, energy-absorbing steel guarding system that protects your most valuable assets.

How It Works

During a collision, the kinetic energy of the impact is absorbed by an elastomer in the base of the vertical post. This allows the post to tilt approximately 20° as it progressively absorbs energy, softening the impact. After the impact, the post returns upright, leaving the guard intact and ready to perform again.

SlowStop is designed as an easily maintained modular system that prevents damage. Modular connectors create fences, corner guards, column protectors, rack end guards, and so much more!

Benefits

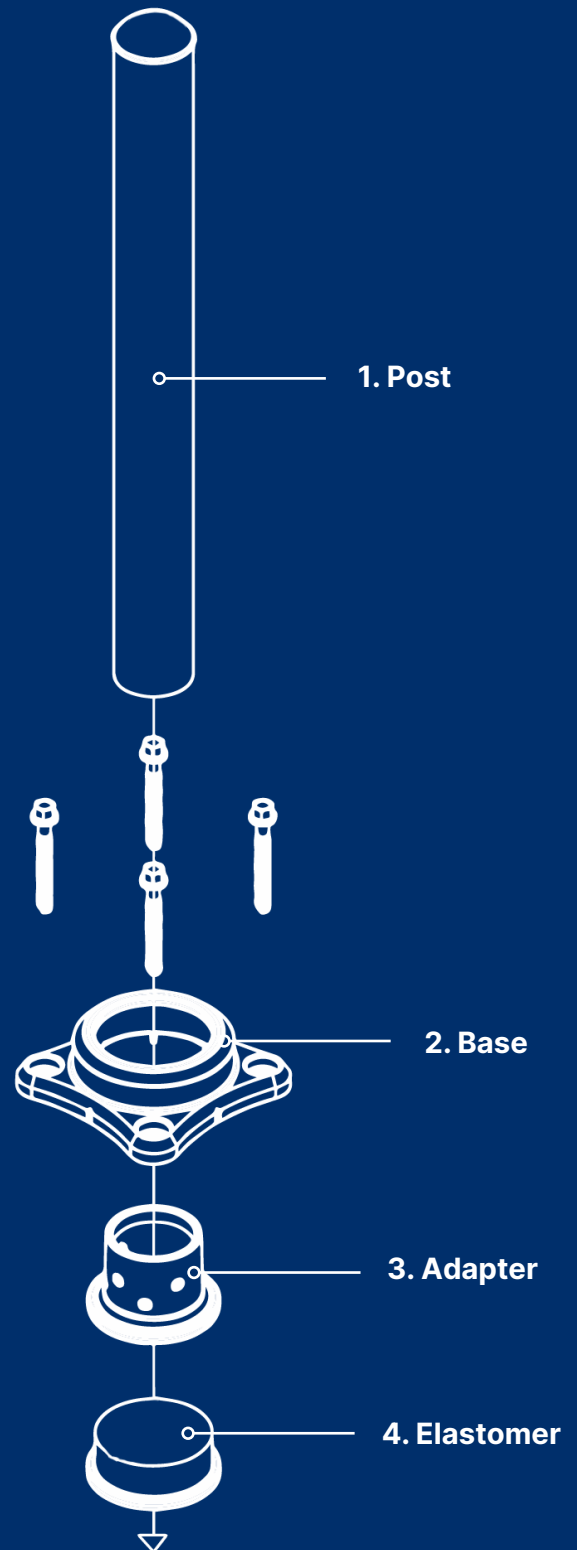
Increased personnel and pedestrian safety

Flexible system absorbs energy, reducing damage to assets, equipment, and pedestrians

Simple installation and instantly operational

Modular steel system can create any unique custom barrier needed for your facility

Easy relocation and retrofitting



The system is made up of four main components (pictured above):

1. Post (standard schedule 40 / ISO pipe or equivalent)
2. Base
3. Adapter
4. Elastomer (energy absorbing)



Protect Your Productivity with SlowStop® Protective Guarding

From fast-moving forklifts to complex machinery, manufacturing facilities are full of hazards that can lead to serious damage, downtime, and injury. SlowStop® Protective Guarding offers the strongest flexible steel protection available—designed to absorb energy on impact and rebound to its original position. Built for demanding industrial environments, SlowStop® delivers a reliable and cost-effective solution to protect your facility, workers, and critical assets.

Product Benefits

- **Superior Impact Resistance:** Flexible steel bollards and barriers absorb and dissipate energy on impact, reducing damage to machinery, production lines, and structural elements.
- **Cost-Effective Protection:** Unlike fixed barriers that break on impact, SlowStop® products rebound and remain functional—minimizing repair costs and downtime.
- **Quick, Easy Installation:** Modular surface-mounted systems make installation simple and avoid disruptive construction or core drilling.
- **Prioritize First:** Protect employees by creating clear boundaries and reducing the risk of accidents around high-traffic or hazardous areas.

Applications

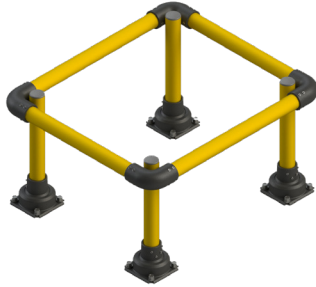
- **Production Lines:** Protect machines, conveyors, and automation equipment from collisions.
- **Work Cell Boundaries:** Define and safeguard operator areas and workstations within busy manufacturing zones.
- **Vehicle Lanes:** Guide forklifts and separate them from sensitive infrastructure.
- **Critical Equipment:** Guard electrical panels, control cabinets, HVAC units, and other essential facility assets.



Bollards

PRODUCTS: REBOUNding STEEL BOLLARD

Our rebounding steel bollards are successfully used in commercial locations, industrial environments, logistic sites, and for traffic control situations. Their strength rivals that of traditional embedded bollards with lower costs and less hassle. Four sizes to fit your application.



Column Protection

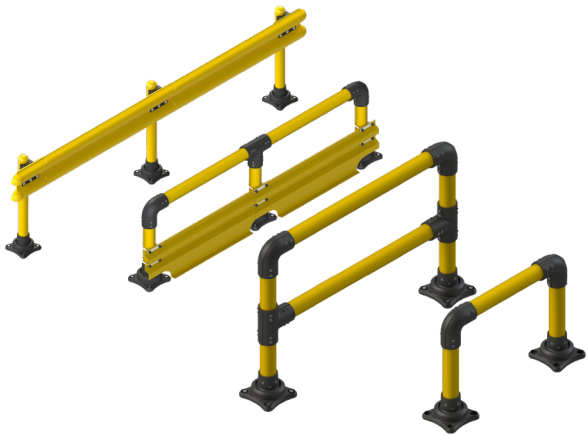
PRODUCTS: COLUMN PROTECTOR

These column protectors utilize our patented rebounding guarding technology to combine four bollards into a complete barrier that protects critical columns from potential catastrophic failure.

Dock Bumper

PRODUCTS: PARTS & ACCESSORIES

Our dock bumper brings rebounding and cushioning technology to dock bumpers. Its unique shape eliminates hang-ups, hitch points, and greatly reduces noise. The special reflex cavity on the bumper is energy absorbing and reduces building concrete damage.



Guardrail Systems

PRODUCTS: HORSESHOE, FLEXRAIL, IRONFLEX RAILING, FORKLIFT PROTECTION PLATE, HEIGHT RESTRICTORS

With our cast-iron elbow, tee, and cross-shaped tubular joints, we can easily configure custom guarding such as u-shaped brackets, safety railings, protection buffers, fences, and guardrail systems. Use our composite FlexRail for long aisles and pedestrian walkways.

Rack End Protection

PRODUCTS: RACK END GUARD

Specially designed for common pallet rack sizes, these IronFlex guards protect your rack ends from damage while resisting damage themselves.





Take the Next Step in Protecting Your Facility

By choosing Impact Recovery, you are making a commitment to improving the safety of your facility. Together, we can create a safer, more sustainable future.

- **Free Consultations:** Schedule a free consultation with our safety experts to assess your facility's needs. We'll provide personalized recommendations to enhance your protection.
- **On-Site Assessments:** Our team can visit your location to conduct a thorough on-site assessment, identifying potential hazards and suggesting optimal guarding solutions.
- **Custom Solutions:** We understand that every facility is unique. That's why we offer custom solutions tailored to your specific requirements, ensuring maximum protection and efficiency.
- **Installation Training:** Our team will provide on-site installation training. This service is an added benefit that we encourage to ensure a seamless and hassle-free process.

Contact for Details & Options

For more information on how Impact Recovery's SlowStop® Protective Guarding products can benefit your community, contact us today:

Email: info@impactrecovery.com
Phone: (210) 736-4477 | 1-800-736-5256
Website: impactrecovery.com

4955 Stout Drive, San Antonio, TX 78219 | (210) 736-4477 | 1-800-736-5256 | impactrecovery.com

©2025 Impact Recovery Systems, Inc.® All rights reserved. Impact Recovery Systems, OneBase, and Tuff Curb are registered trademarks of Impact Recovery Systems, Inc.® SlowStop® is a registered trademark of SlowStop Guarding Systems, LLC.® Products are covered by U.S. and international patents. Other U.S. and international patents pending.
May 2025